

**2024 AUTHORIZED COMBINATIONS OF DEER**

**HUNTING LICENSES FOR IOWA RESIDENTS**

**DIRECTIONS:** The chart below will help determine which licenses resident Iowa deer hunters may purchase. To use, 1) select the preferred Any-deer from the left column and follow to the right, staying within the same horizontal lines, to determine what additional licenses the customer may purchase

**FIRST ANY-DEER LICENSE**  
Valid statewide: \$33.00; Max. 1 per hunter; No quota (except Early Muzzleloader). Select one license from the same row as the first Any-deer license selection. Select one license from any box below.

**SECOND ANY-DEER LICENSE (optional)**  
Valid statewide: \$33.00; Max. 1 per hunter. No quota (except Early Muzzleloader). Select one license from the same row as the first Any-deer license selection.

**BONUS LICENSES**  
(if eligible)  
Valid Statewide

Before Sept. 15: Max. 1. Beginning Sept. 15: No limit until quotas fill. Select from the same horizontal row as your Any-deer license selection. Valid in one county; county quotas apply. *January Antlerless Population Management MAY open ONLY in Appanoose, Allamakee, Decatur, Wayne, Monroe, Lucas and Winneshiek counties as determined by the department on Dec. 16th.*

\* An Any-deer license for this season must be purchased before the Antlerless-only license may be purchased.

<b>200 — SHOTGUN SEASON 1</b>	202 — Bow Season	207 (\$33.00) — Youth Any-deer 208 (\$33.00) — Disabled Any-deer 209 (\$33.00) — Nonambulatory Any-deer 150 (\$28.50) or 153 (\$15) — Senior Antlerless Crossbow (65+)	207 (\$33.00) — Youth Any-deer 208 (\$33.00) — Disabled Any-deer 209 (\$33.00) — Nonambulatory Any-deer 150 (\$28.50) or 153 (\$15) — Senior Antlerless Crossbow (65+)	179 (\$28.50) or 183 (\$15) — Antlerless Shotgun Season 1	156 (\$28.50) or 159 (\$15) — Antlerless Youth (if eligible)
				232 (\$28.50) or 252 (\$15) — Antlerless Bow 238 (\$28.50) or 258 (\$15) — Antlerless Late Muzzleloader 241 (\$28.50) or 261 (\$15) — January Antlerless Population Mgmt 242 (\$28.50) or 262 (\$15) — January Antlerless Excess	165 (\$28.50) or 175 (\$15) — Antlerless Disabled (if eligible)
<b>201 — SHOTGUN SEASON 2</b>	202 — Bow Season	207 (\$33.00) — Youth Any-deer 208 (\$33.00) — Disabled Any-deer 209 (\$33.00) — Nonambulatory Any-deer 150 (\$28.50) or 153 (\$15) — Senior Antlerless Crossbow (65+)	207 (\$33.00) — Youth Any-deer 208 (\$33.00) — Disabled Any-deer 209 (\$33.00) — Nonambulatory Any-deer 150 (\$28.50) or 153 (\$15) — Senior Antlerless Crossbow (65+)	235 (\$28.50) or 255 (\$15) — Antlerless Shotgun Season 2	156 (\$28.50) or 159 (\$15) — Antlerless Youth (if eligible)
				232 (\$28.50) or 252 (\$15) — Antlerless Bow 238 (\$28.50) or 258 (\$15) — Antlerless Late Muzzleloader 241 (\$28.50) or 261 (\$15) — January Antlerless Population Mgmt 242 (\$28.50) or 262 (\$15) — January Antlerless Excess	165 (\$28.50) or 175 (\$15) — Antlerless Disabled (if eligible)
<b>202 — BOW</b>	201 — Shotgun Season 1	207 (\$33.00) — Youth Any-deer 208 (\$33.00) — Disabled Any-deer 209 (\$33.00) — Nonambulatory Any-deer 150 (\$28.50) or 153 (\$15) — Senior Antlerless Crossbow (65+)	207 (\$33.00) — Youth Any-deer 208 (\$33.00) — Disabled Any-deer 209 (\$33.00) — Nonambulatory Any-deer 150 (\$28.50) or 153 (\$15) — Senior Antlerless Crossbow (65+)	179 (\$28.50) or 183 (\$15) — Antlerless Shotgun Season 1	156 (\$28.50) or 159 (\$15) — Antlerless Youth (if eligible)
				232 (\$28.50) or 252 (\$15) — Antlerless Bow 238 (\$28.50) or 258 (\$15) — Antlerless Late Muzzleloader 241 (\$28.50) or 261 (\$15) — January Antlerless Population Mgmt 242 (\$28.50) or 262 (\$15) — January Antlerless Excess	165 (\$28.50) or 175 (\$15) — Antlerless Disabled (if eligible)
<b>202 — BOW</b>	201 — Shotgun Season 2	207 (\$33.00) — Youth Any-deer 208 (\$33.00) — Disabled Any-deer 209 (\$33.00) — Nonambulatory Any-deer 150 (\$28.50) or 153 (\$15) — Senior Antlerless Crossbow (65+)	207 (\$33.00) — Youth Any-deer 208 (\$33.00) — Disabled Any-deer 209 (\$33.00) — Nonambulatory Any-deer 150 (\$28.50) or 153 (\$15) — Senior Antlerless Crossbow (65+)	235 (\$28.50) or 255 (\$15) — Antlerless Shotgun Season 2	156 (\$28.50) or 159 (\$15) — Antlerless Youth (if eligible)
				232 (\$28.50) or 252 (\$15) — Antlerless Bow 238 (\$28.50) or 258 (\$15) — Antlerless Late Muzzleloader 241 (\$28.50) or 261 (\$15) — January Antlerless Population Mgmt 242 (\$28.50) or 262 (\$15) — January Antlerless Excess	165 (\$28.50) or 175 (\$15) — Antlerless Disabled (if eligible)
<b>205 — EARLY MUZZLELOADER (7,500 Quota)</b>	205 — Early Muzzleloader (7,500 quota)	207 (\$33.00) — Youth Any-deer 208 (\$33.00) — Disabled Any-deer 209 (\$33.00) — Nonambulatory Any-deer 150 (\$28.50) or 153 (\$15) — Senior Antlerless Crossbow (65+)	207 (\$33.00) — Youth Any-deer 208 (\$33.00) — Disabled Any-deer 209 (\$33.00) — Nonambulatory Any-deer 150 (\$28.50) or 153 (\$15) — Senior Antlerless Crossbow (65+)	232 (\$28.50) or 252 (\$15) — Antlerless Bow	156 (\$28.50) or 159 (\$15) — Antlerless Youth (if eligible)
				162 (\$28.50) or 172 (\$15) — Antlerless Early Muzzleloader* 238 (\$28.50) or 258 (\$15) — Antlerless Late Muzzleloader 241 (\$28.50) or 261 (\$15) — January Antlerless Population Mgmt 242 (\$28.50) or 262 (\$15) — January Antlerless Excess	165 (\$28.50) or 175 (\$15) — Antlerless Disabled (if eligible)
<b>206 — EARLY MUZZLELOADER (7,500 Quota)</b>	206 — Late Muzzleloader Season	207 (\$33.00) — Youth Any-deer 208 (\$33.00) — Disabled Any-deer 209 (\$33.00) — Nonambulatory Any-deer 150 (\$28.50) or 153 (\$15) — Senior Antlerless Crossbow (65+)	207 (\$33.00) — Youth Any-deer 208 (\$33.00) — Disabled Any-deer 209 (\$33.00) — Nonambulatory Any-deer 150 (\$28.50) or 153 (\$15) — Senior Antlerless Crossbow (65+)	179 (\$28.50) or 183 (\$15) — Antlerless Shotgun Season 1 OR 235 (\$28.50) or 255 (\$15) — Antlerless Shotgun Season 2	238 (\$28.50) or 258 (\$15) — Antlerless Late Muzzleloader 156 (\$28.50) or 159 (\$15) — Antlerless Youth (if eligible) 165 (\$28.50) or 175 (\$15) — Antlerless Disabled (if eligible)
				232 (\$28.50) or 252 (\$15) — Antlerless Bow 241 (\$28.50) or 261 (\$15) — January Antlerless Population Mgmt 242 (\$28.50) or 262 (\$15) — January Antlerless Excess	
<b>206 — LATE MUZZLELOADER</b>	202 — Bow Season	207 (\$33.00) — Youth Any-deer 208 (\$33.00) — Disabled Any-deer 209 (\$33.00) — Nonambulatory Any-deer 150 (\$28.50) or 153 (\$15) — Senior Antlerless Crossbow (65+)	207 (\$33.00) — Youth Any-deer 208 (\$33.00) — Disabled Any-deer 209 (\$33.00) — Nonambulatory Any-deer 150 (\$28.50) or 153 (\$15) — Senior Antlerless Crossbow (65+)	232 (\$28.50) or 252 (\$15) — Antlerless Bow	156 (\$28.50) or 159 (\$15) — Antlerless Youth (if eligible)
				162 (\$28.50) or 172 (\$15) — Antlerless Early Muzzleloader* 238 (\$28.50) or 258 (\$15) — Antlerless Late Muzzleloader 241 (\$28.50) or 261 (\$15) — January Antlerless Population Mgmt 242 (\$28.50) or 262 (\$15) — January Antlerless Excess	165 (\$28.50) or 175 (\$15) — Antlerless Disabled (if eligible)
<b>NONE PURCHASED</b>	None Purchased	207 (\$33.00) — Youth Any-deer 208 (\$33.00) — Disabled Any-deer 209 (\$33.00) — Nonambulatory Any-deer 150 (\$28.50) or 153 (\$15) — Senior Antlerless Crossbow (65+)	207 (\$33.00) — Youth Any-deer 208 (\$33.00) — Disabled Any-deer 209 (\$33.00) — Nonambulatory Any-deer 150 (\$28.50) or 153 (\$15) — Senior Antlerless Crossbow (65+)	179 (\$28.50) or 183 (\$15) — Antlerless Shotgun Season 1 OR 235 (\$28.50) or 255 (\$15) — Antlerless Shotgun Season 2	238 (\$28.50) or 258 (\$15) — Antlerless Late Muzzleloader 156 (\$28.50) or 159 (\$15) — Antlerless Youth (if eligible) 165 (\$28.50) or 175 (\$15) — Antlerless Disabled (if eligible)
				232 (\$28.50) or 252 (\$15) — Antlerless Bow 241 (\$28.50) or 261 (\$15) — January Antlerless Population Mgmt 242 (\$28.50) or 262 (\$15) — January Antlerless Excess	

### 2024 DEER LICENSE OPTIONS FOR ELIGIBLE LANDOWNERS AND TENANTS

All qualifying landowners and tenants may have one license from each column, and up to two from the third, in addition to any paid combinations outlined on the opposite page.

1080 (\$2) - Special LOT Deer Any-Sex	1081 (\$2) - Special LOT Deer Antlerless	180 (\$15) — Antls. Farm Unit Early Muzzleloader
Replaces: 220 - Deer LOT Gun 1&2 221 - Deer LOT Early Muzzle 222 - Deer LOT Lat Muzzle 223 - Deer LOT Bow 225 - Deer LOT Youth 226 - Deer LOT Disabled	Replaces: 190 - LOT Antlerless Gun 1&2 191 - LOT Antlerless Early Muzzle 192 - LOT Antlerless Late Muzzle 193 - LOT Antlerless Bow 194 - LOT Antlerless Disabled 195 - LOT November Antlerless 196 - LOT Antlerless Youth  224-LOT January Antlerless - Open Counties Only	186 (\$15) — Antls. Farm Unit Youth 187 (\$15) — Antls. Farm Unit Disabled** 189 (\$15) — January Antlerless+  227 (\$15) — Antls. Farm Unit Bow 228 (\$15) — Antls. Farm Unit Shotgun Seasons 1 and 2 229 (\$15) — Antls. Farm Unit Late Muzzleloader

+ January antlerless season MAY open ONLY in Appanoose, Allamakee, Decatur, Wayne, Monroe, Lucas and Winneshiek counties as determined by the department on Dec. 16th. \*\* Disabled Hunter Season Licenses require an affidavit of disability to be submitted to the DNR prior to purchasing a license.

### 2024 RESIDENT FALL TURKEY LICENSE COMBINATIONS

Resident hunters may purchase up to two fall turkey hunting licenses based on the combinations outlined below.

If Customer's First License is:	Second License May Only Be (Select One):
492 (\$28.50) — Paid Gun/Bow Zone 4-9 (Until Quotas Fill)	492 (\$28.50) — Paid Gun/Bow Zone 4-9 (Until Quotas Fill)
493 (\$1) — LOT Gun/Bow (if eligible)	493 (\$1) — LOT Gun/Bow (if eligible)
494 (\$1) — LOT Bow (if eligible)	494 (\$1) — LOT Bow (if eligible)
495 (\$28.50) — Paid Bow	495 (\$28.50) — Paid Bow
493 (\$1) — LOT Gun/Bow (if eligible)	492 (\$28.50) — Paid Gun/Bow Zone 4-9 (Until Quotas Fill)
494 (\$1) — LOT Bow (if eligible)	495 (\$28.50) — Paid Bow
495 (\$28.50) — Paid Bow	492 (\$28.50) — Paid Gun/Bow Zone 4-9 (Until Quotas Fill)
	493 (\$1) — LOT Gun/Bow (if eligible)
	494 (\$1) — LOT Bow (if eligible)
	495 (\$28.50) — Paid Bow

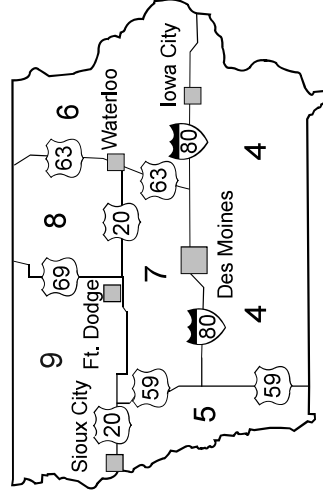
See the 2024-25 Iowa Hunting and Trapping Regulations, or visit the DNR's website at: [www.iowadnr.gov](http://www.iowadnr.gov)

### 2024 ANTLERLESS DEER LICENSE QUOTAS (CHANGES MARKED IN BOLD)

#	COUNTY	QUOTA	#	COUNTY	QUOTA
01	Adair	1,200	67	Monroe	0
02	Adams	750	68	Monroe	2,500
03	Allamakee	3,800	69	Montgomery	150
04	Appanoose	2,800	70	Muscatine	900
05	Audubon	0	71	O'Brien	0
06	Benton	325	72	Osceola	0
07	Black Hawk	0	73	Page	0
08	Boone	600	74	Palo Alto	0
09	Bremer	300	75	Plymouth	0
10	Buchanan	400	76	Pocahontas	0
11	Buena Vista	0	77	Polk	1,350
12	Butler	300	78	Pottawattamie	0
13	Calhoun	0	79	Poweshiek	200
14	Carrroll	0	80	Ringgold	1,600
15	Cass	0	81	Sac	0
16	Cedar	775	82	Scott	200
17	Cerro Gordo	100	83	Shelby	0
18	Cherokee	0	84	Sioux	0
19	Chickasaw	375	85	Story	150
20	Clarke	2,400	86	Tama	300
21	Clay	0	87	Taylor	1,500
22	Clayton	4,000	88	Union	1,400
23	Clinton	400	89	Van Buren	2,400
24	Crawford	0	90	Wapello	1,600
25	Dallas	1,900	91	Warren	3,000
26	Davis	2,000	92	Washington	1,200
27	Decatur	2,500	93	Wayne	2,700
28	Delaware	1,100	94	Webster	200
29	Des Moines	1,000	95	Winneshiek	0
30	Dickinson	0	96	Winneshiek	2,700
31	Dubuque	1,200	97	Woodbury	0
32	Emmet	0	98	Worth	0
33	Fayette	2,500	99	Wright	100

### 2024 RESIDENT FALL TURKEY COMBINATION GUN/BOW ZONES AND QUOTAS

ZONE	QUOTA
Zone 4	1,500
Zone 5	650
Zone 6	1,400
Zone 7	250
Zone 8	200
Zone 9	200



ALL LICENSE FEES VALID AT TIME OF PRINTING